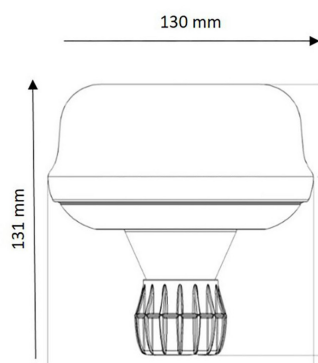


OEI no: OEI422003450

Beacon

Warning light



Product group	Warning lamps
Source of light	LED
Voltage	10-30V
Size (mm)	Ø130
Lightcolors	Amber
Number of functions	1

Manufacturer: **Vignal**

Approval: R10, ECE R65

Power: **9W**

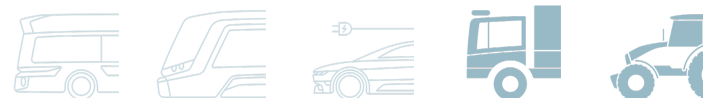
Material: **PC**

IP Rating: **IP54**

Assembly: **Flexi Din**

Shape: **Round**

APPLICATION



Buses and minibuses

Trams

Electric vehicles

Special vehicles and trucks

Agricultural vehicles



Motorhomes

Construction vehicles

Off road and tuning

Trailers and semitrailers

Forklift



Electric and Electronics



Bulbs



Accessories