

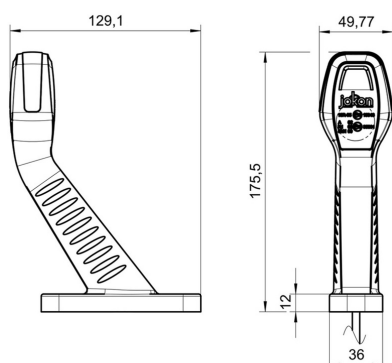
OEI no: OEI542003253

OE no: 12.0020.300

## End-outline marker light



Marker light



Product group	Side lamps
Source of light	LED
Voltage	9-32V
Number of functions	1

Manufacturer: Jokon Approval: E2-08101

Model: SPL2020

Montage side: Left

Material: PMMA/ABS

IP Rating: IP67

Shape: Other

### APPLICATION

