

OEI no: OEI422003833

Lighthoods



Warning light



Product group	Warning lamps
Source of light	LED
Voltage	10-30V
Size (mm)	90x13x33
Lightcolors	Red
Additional information	The very slim design warning lighthoods are bright and versatile 180-degree warning lights.
Number of functions	1

Manufacturer: OE Industry

Approval: R10, ECE R65, SAE J595

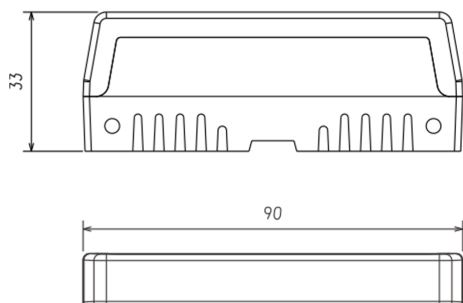
Power: 18W

Material: Aluminum/PC

IP Rating: IP67

Connection: Cable

Assembly: Screws



APPLICATION

