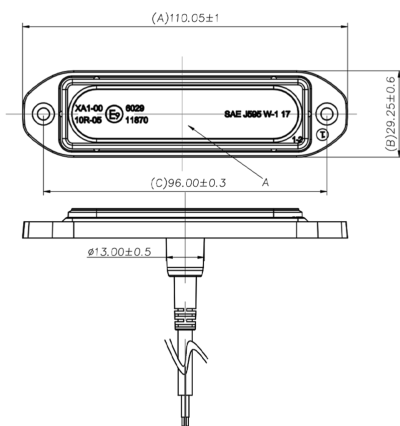


OEI no: OEI422003640

## Lighthoods

Warning light



Product group	Warning lamps
Source of light	LED
Voltage	10-30V
Size (mm)	110x10
Lightcolors	Amber
Number of functions	1

Manufacturer: OE Industry

Shape: Rectangular

Power: 3W

Approval: R10, ECE R65

Material: Aluminum/PC

IP Rating: IP67

Connection: Cable 300mm

Assembly: Screws

### APPLICATION



Buses and minibuses

Trams

Electric vehicles

Special vehicles and trucks

Agricultural vehicles



Motorhomes

Construction vehicles

Off road and tuning

Trailers and semitrailers

Forklift



Electric and Electronics



Bulbs



Accessories