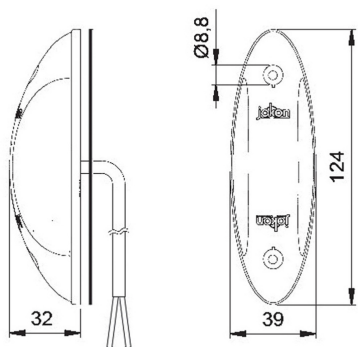


OEI no: OEI532001145

OE no: 12.0015.000

Side lamp

Marker light



Product group	Side lamps
Source of light	LED
Voltage	24V
Size (mm)	124x32
Number of functions	1

Manufacturer: Jokon

Connection: Cable 500mm

Model: SPL2016

Shape: Rectangular

Montage side: Left, Right

Approval: E2-06078

Power: 1W

Material: PMMA/ABS

IP Rating: IP67

APPLICATION

